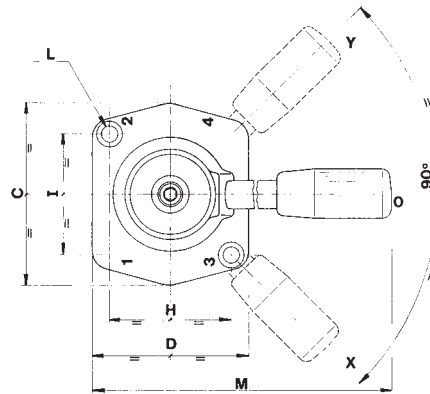




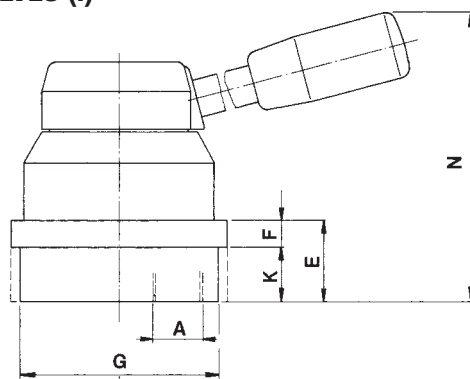
ROTARY VALVES

3 POSITION VALVES	CLOSED CENTRES valve Intermediate position X position Y position	Lever on 0 (Zero) closed passages Lever on X, 1 connected to 2, - 4 exhausted to 3 Lever on Y, 1 connected to 4, - 2 exhausted to 3	
	OPEN CENTRES valve Intermediate position X position Y position	Lever on 0 (Zero) 2 and 4 connected to 3 Lever on X, 1 connected to 2, - 4 exhausted to 3 Lever on Y, 1 connected to 4, - 2 exhausted to 3	
2 POSITION VALVES	X position Y position	Lever on X, 1 connected to 2, - 4 exhausted to 3 Lever on Y, 1 connected to 4, - 2 exhausted to 3	

NORMAL ROTARY VALVES (N)



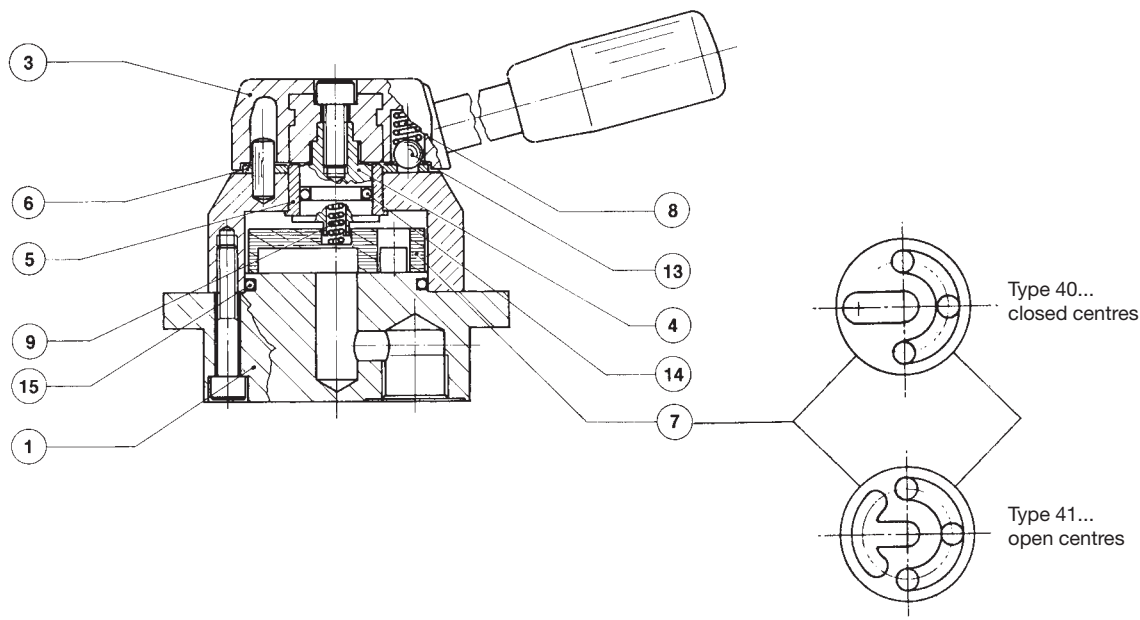
PANEL MOUNTING ROTARY VALVES (I)



4/3 VALVE (4 WAY/3 POSITIONS)				4/2 VALVE (4 WAY/2 POSITIONS)		TECHNICAL SPECIFICATIONS			A	C	D	E	F	G	H	I	K	L	M	N
CODE	CLOSED CENTRES VALVE TYPE	CODE	OPEN CENTRES VALVE TYPE	CODE	VALVE TYPE	MAX. WORKING PRESSURE bar	FLOW SECTION mm ²	MASS kg												
454100	4001-N	454110	4101-N	454120	4001-N-2	12	16	0,253	G1/8	56	46	17			35	35		4,5	105	70
454200	4002-N	454210	4102-N	454220	4002-N-2	12	19	0,352	G1/4	67	55	21			43	43		5,5	110	80
454400	4004-N	454410	4104-N	454420	4004-N-2	12	64	0,633	G1/2	84	70	28			59	58		5,5	135	100
454101	4001-I	454111	4101-I	454121	4001-I-2	12	16	0,230	G1/8	56	46	17	6	40	35	35	11	4,5	105	70
454201	4002-I	454211	4102-I	454221	4002-I-2	12	19	0,316	G1/4	67	55	21	7	50	43	43	14	5,5	110	80
454301	4003-I	454311	4103-I	454321	4003-I-2	12	57	0,536	G3/8	84	70	25	8	65	57	57	17	6,5	135	100

ROTARY VALVES

Our rotary valve is a 4 way valve (one inlet, two outlets and one exhaust connection) with 2 or three stable positions. It is usually employed for pneumatic cylinder control. Thanks to the materials used in the construction (anodized aluminium body and lapped Delrin distributors) and to the particular feature of no gasket work this valve can be considered a reliable and low maintenance product. Air supply shall be adequately filtered.



Pos.	Description	Valve parts ordering codes			
		1/8"	1/4"	3/8"	1/2"
1	Lower body, normal version	1.04.101	1.04.103		1.04.106
1	Lower body, panel mounting version	1.04.102	1.04.104	1.04.105	
3	Cap	2.04.101.01		2.04.101.02	
4	Shaft	1.04.113		1.04.114	
5	Bush	1.04.111			
6	3 position plate	1.04.112.01			
6	2 position plate	1.04.112.02			
7	Closed centres distributor	1.04.117	1.04.119	1.04.121	1.01.123
7	Open centres distributor	1.04.118	1.04.120	1.04.122	1.04.124
8	Spring	1.M016			
9	Spring	1.M017			
13	Ball	7/32"			
14	Shaft seal	6OR2043			
15	Body seal	6OR2093	6OR2125	6OR3162	6OR3200

AUTHORIZED RETAILER

Right of modification reserved.



G.P.A. ITALIANA s.r.l. - Via L. da Vinci, 25 - 22074 Lomazzo (CO) - ITALY
 Tel. +39 02 96779406 - Fax +39 02 96370473
 E-mail: gpa@gpa-automation.com - www.gpa-automation.com